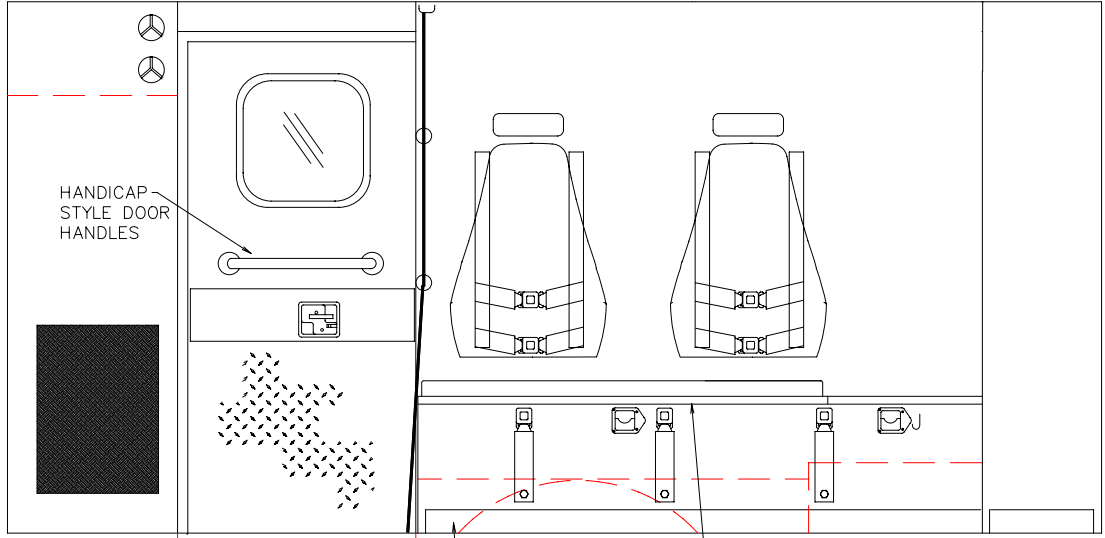
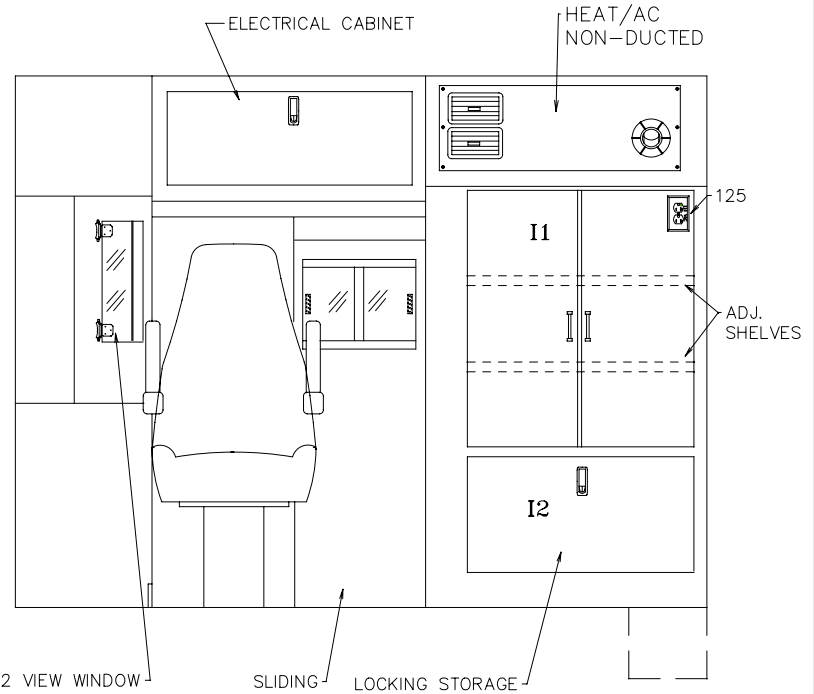
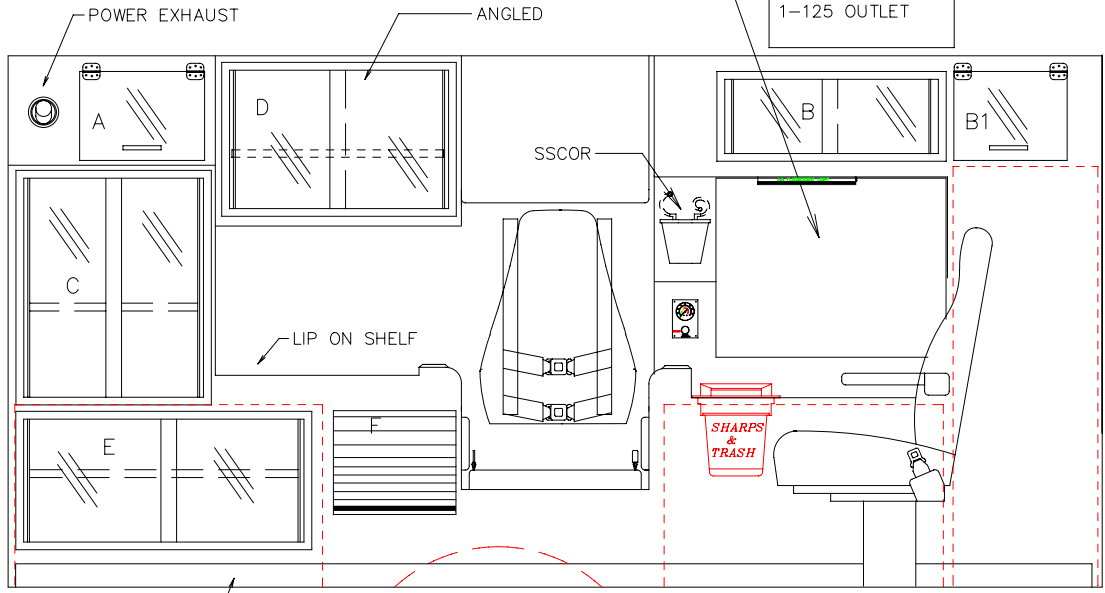


CONCEPTIONAL DRAWINGS ONLY: DRAWINGS ARE NOT TO SCALE, ALL MEASURES ARE APPROXIMATE & SUBJECT TO ENGINEERING CHANGE


2-02 OUTLETS
1-SWITCH PANEL
2-12VDC OUTLETS
1-125 OUTLET



*CONCEPTIONAL DRAWINGS
* Some shown are optional
* Due to AEV's ongoing improvements, drawings can change.

AEV

AMERICAN EMERGENCY VEHICLES

| | | |
|---------------------------------|-------|---|
| TITLE Type 3, 148", Interior | |  Customer: |
| DWG.# | REV.# | |
| TRUCK.# | | |
| BY: | DATE | |